



FDC

Carrying the flame

Freestanding Stoves

Over the last few years the fireplace and stove industry has developed to meet the requirements of the modern day home coupled with the need to protect the environment we live in. Wood logs are a practical, low carbon heating choice and wood burning stove technology has improved dramatically resulting in lower emissions and increased efficiency.

The SIA (Stove Industry Alliance) used the services of research company Kiwa Gastec, whose report showed that modern clean burning Ecodesign stoves can reduce particulate emissions by up to 90% compared to an open fire, and 80% compared to the average 10 year old stove. This finding was so important that the SIA began an 'Ecodesign ready' labelling scheme verified by HETAS to promote stoves meeting the efficiency and emissions regulations. In 2019, we made the decision that all FDC freestanding stove models would meet the European environmental standards for particulate emissions due to come into force from 2022.

September 2020 saw the launch of [clearSkies](#), a new objective and independent emissions and energy performance certification mark for solid fuel stoves and fireplaces. All appliances certified under the [clearSkies](#) label meet or exceed the efficiency and emissions requirements for Ecodesign 2022 regulations, and all Level 3 or above [clearSkies](#) certified appliances are all Defra Exempt for use in smoke control zones. This makes the [clearSkies](#) label the only single comprehensive label covering everything you need to know about a stove or fireplace in terms of Ecodesign compliance and the ability to be able to use the appliance in smoke control zones. The label also makes it easier to distinguish lower emission, higher efficiency appliances by having differing levels of certification from level 2 to level 5. The higher the level, the better the appliance performs in terms of lower emissions and higher efficiency.

“ We are proud to say all FDC freestanding stove models have achieved clearSkies Level 5 status making them some of the cleanest and most efficient stoves on the market today. ”



Future proof appliances

By choosing a clearSkies certified appliance you ensure your stove meets and, in many cases, exceeds the latest standards & legislative requirements.

Cost effective to run

It costs less to run a clearSkies stove than the average 10-year-old stove because you need significantly less logs for the same amount of heat

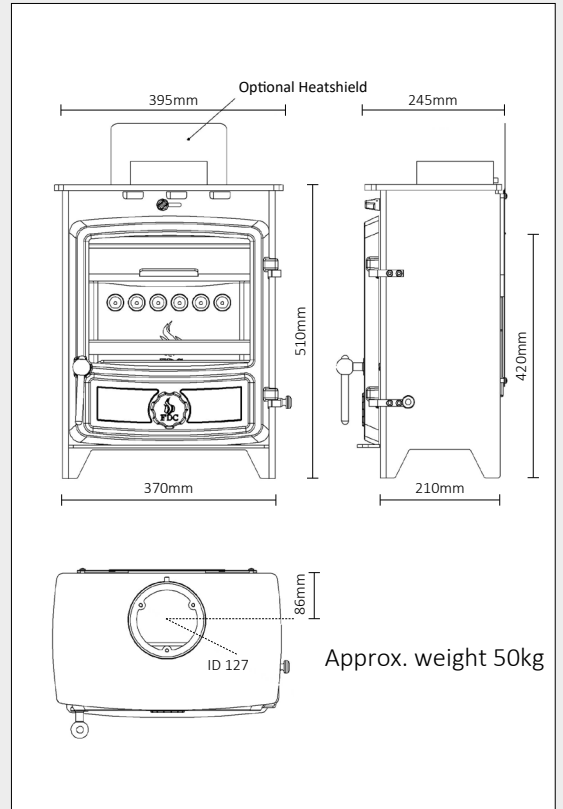
Freestanding Stoves



FDC4 Eco



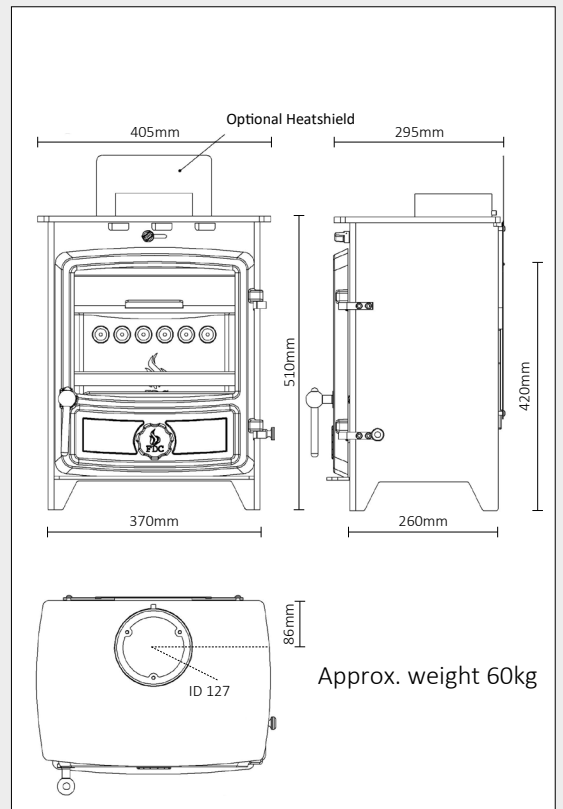
- SIA Ecodesign Ready 2022 certified
- Ultra clean burning
- 4kW output
- Draught-controlled tertiary airwash system
- Large ceramic glass window
- External rotary grate riddling system
- Efficiency - 81.8% wood
- Efficiency - 79.8% smokeless fuel
- DEFRA exempt as standard for use in any location
- 5" Liner compatible
- Burn rate controlled via primary and secondary air regulators
- Only 50mm free air gap required around the stove body
- Only requires a 12mm thick super imposed hearth
- Accepts up to 12" logs



FDC5 Eco



- SIA Ecodesign Ready 2022 certified
- Ultra clean burning
- 5kW output
- Draught-controlled tertiary airwash system
- Large ceramic glass window
- External rotary grate riddling system
- Efficiency - 81.7% wood
- Efficiency - 79.5% smokeless fuel
- DEFRA exempt as standard for use in any location
- 5" Liner compatible
- Burn rate controlled via primary and secondary air regulators
- Only 50mm free air gap required around the stove body
- Only requires a 12mm thick super imposed hearth
- Accepts up to 12" logs



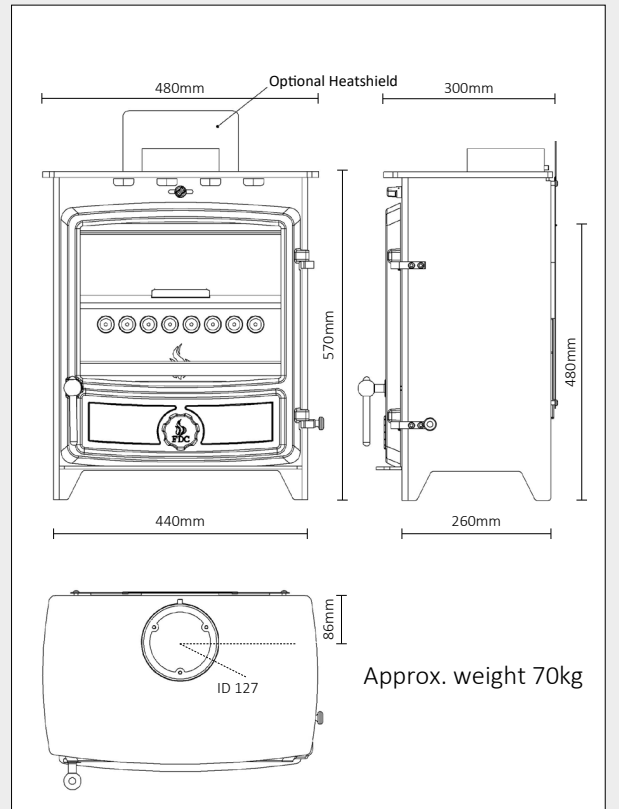
Freestanding Stoves



FDC5 WIDE Eco



- SIA Ecodesign Ready 2022 certified
- Ultra clean burning
- 5kW output
- Draught-controlled tertiary airwash system
- Extra large ceramic glass window
- External rotary grate riddling system
- Efficiency - 80.8% wood
- Efficiency - 81.6% smokeless fuel
- DEFRA exempt as standard for use in any location
- 5" Liner compatible
- Burn rate controlled via primary and secondary air regulators
- Only 50mm free air gap required around the stove body
- Only requires a 12mm thick superimposed hearth
- Accepts up to 15" logs



FDC8 Eco



- SIA Ecodesign Ready 2022 certified
- Ultra clean burning
- 8kW output
- Draught-controlled tertiary airwash system
- Extra large ceramic glass window
- External rotary grate riddling system
- Efficiency - 81.1% wood
- Efficiency - 82.9% smokeless fuel
- DEFRA exempt as standard for use in any location
- 5" Liner compatible
- Burn rate controlled via primary and secondary air regulators
- Only 50mm free air gap required around the stove body
- Only requires a 12mm thick superimposed hearth
- Accepts up to 15" logs

